

# PSCo Senate Bill 100

## Transmission Study Group

May 30, 2007

# Senate Bill 100 Transmission Study Group

## Agenda

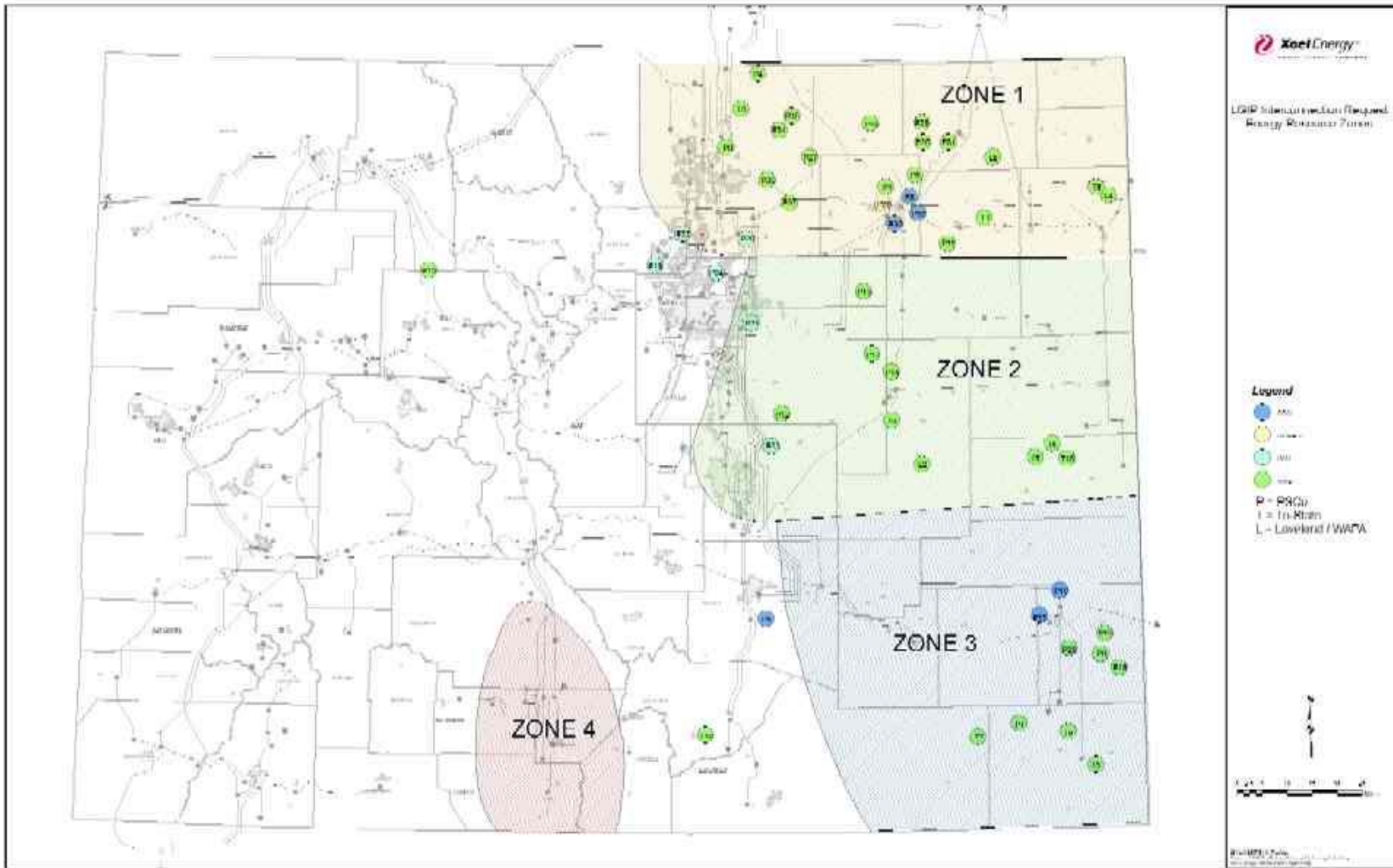
- ◆ **Transmission Study Teams**
- ◆ **PSCO Transmission Study Plan**
  - ◆ Zone 1
  - ◆ Zone 2
  - ◆ Zone 3
  - ◆ Zone 4
- ◆ **PSCO Transmission Study Maps**
- ◆ **Feedback from stakeholders**

# Senate Bill 100 Transmission Study Group

## Transmission Study Teams

- ◆ Meeting dates
  - ◆ May 31<sup>st</sup> and June 14<sup>th</sup>
- ◆ Discuss which transmission plans to perform technical transmission studies and develop cost estimates
- ◆ May hold additional meetings to evaluate technical issues and develop cost estimates
- ◆ Report Progress at subsequent stakeholder meetings

# Senate Bill 100 Transmission Study Group



## Senate Bill 100 Transmission Study Group

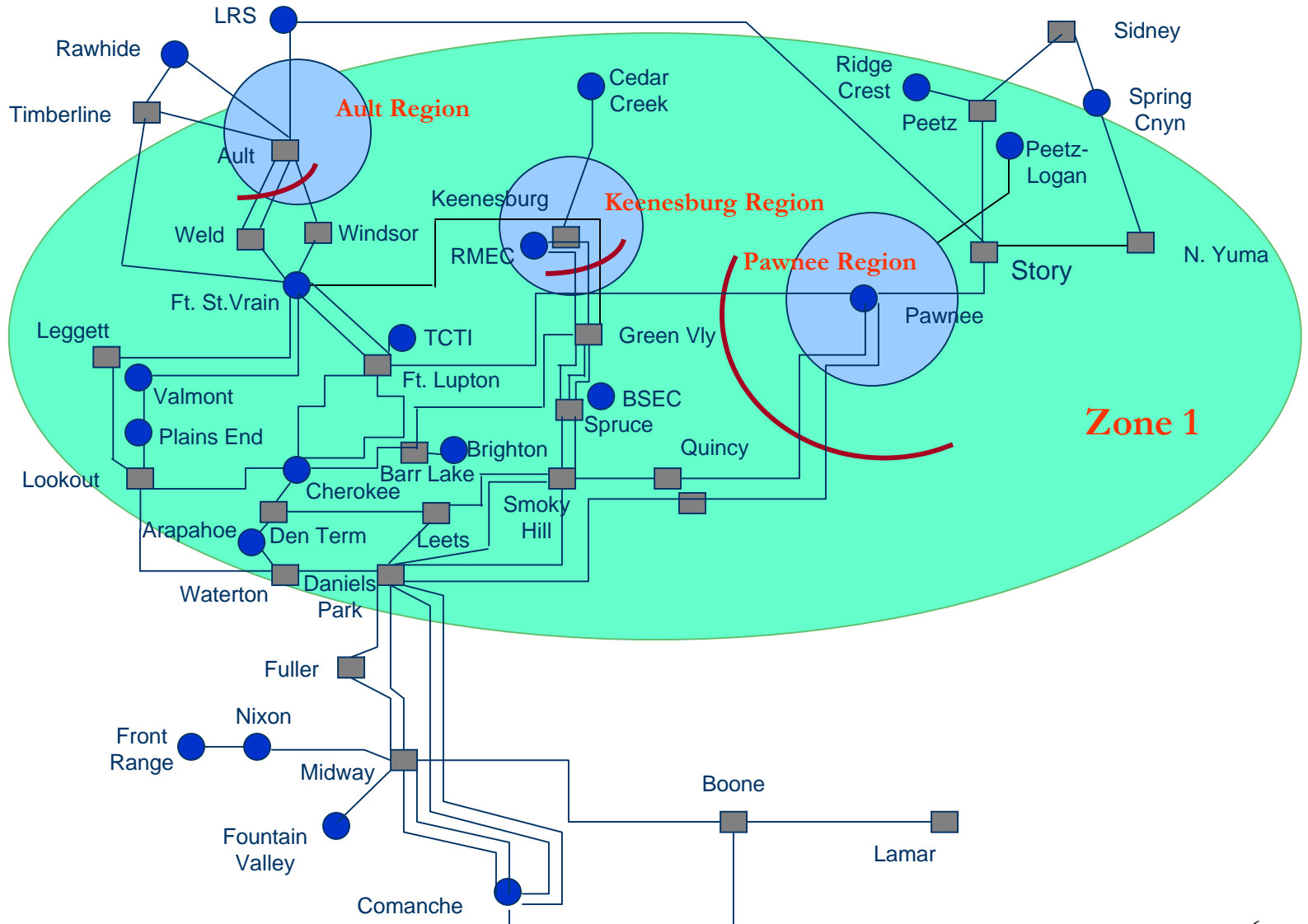
- ◆ PSCo Transmission Planning will look at transmission studies for the four energy resource zones identified

### Zone 1 (Northeast Colorado)

- ◆ **Pawnee Region:** Transmission plan to add additional Available Transmission Capacity (ATC) for injection of generation at Pawnee Station. Review studies that were recently completed\* (GI-2006-2, GI-2006-3, GI-2006-4, GI-2007-1)
- ◆ **Keenesburg Region:** Transmission plan to add additional ATC injection into Keenesburg 230 kV. Review studies that are currently ongoing\* (GI-2007-5, GI-2007-6)
- ◆ **Ault Region:** In process of evaluating the need for additional ATC for generation injection into the Ault area. Review studies that are currently ongoing\* (GI-2007-3, GI-2007-4)

\* OASIS website: [www.RMAO.com/wtpp/PSCO\\_studies.html](http://www.RMAO.com/wtpp/PSCO_studies.html)

# Transmission Study Plan: Zone 1



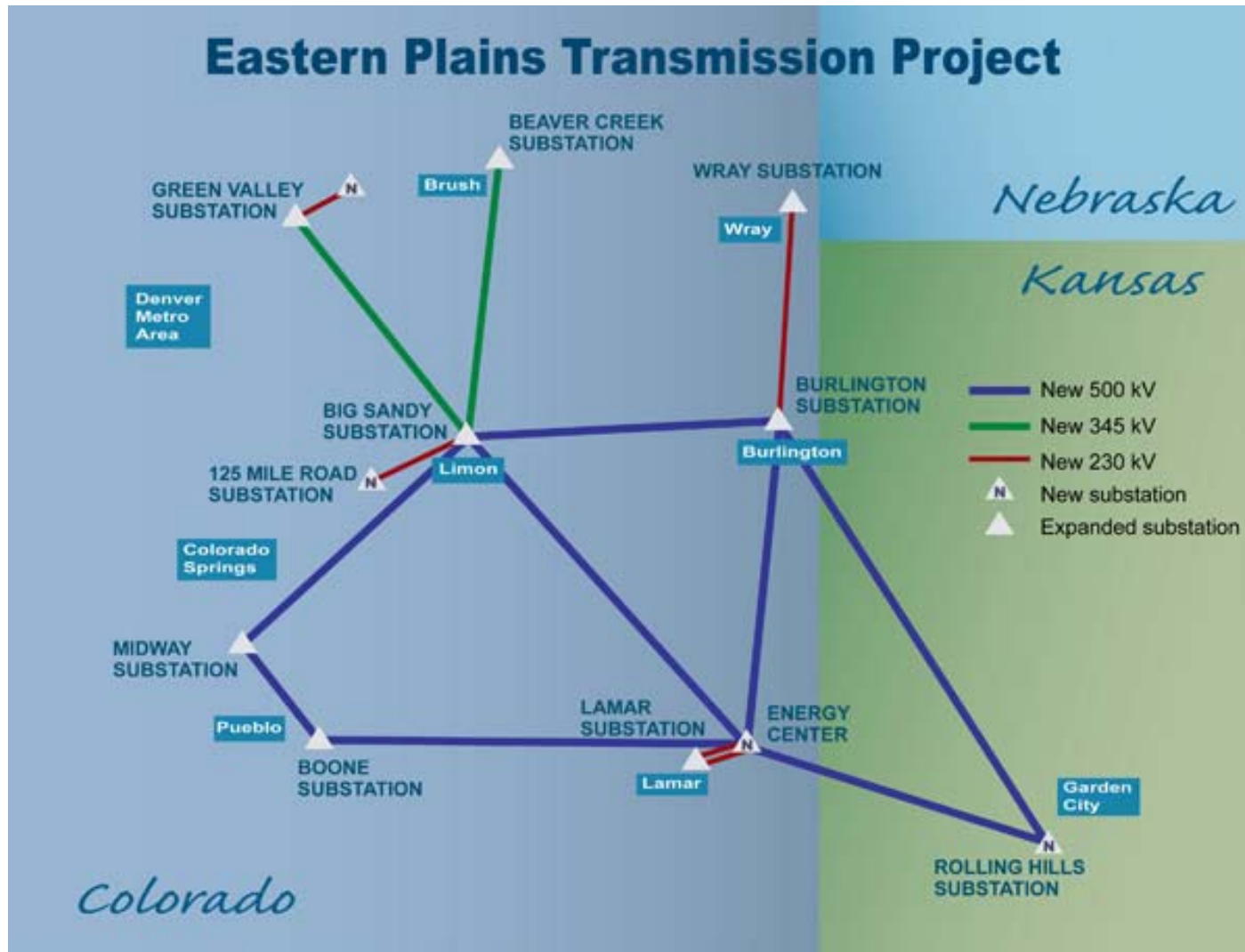
# Senate Bill 100 Transmission Study Group

## Zone 2 (East Central Colorado)

- ◆ Evaluate and incorporate the transmission study of the planned Eastern Plains Transmission Project (EPTP)
- ◆ Solicit additional study plans from stakeholders

\* OASIS website: [www.RMAO.com/wtpp/PSCO\\_studies.html](http://www.RMAO.com/wtpp/PSCO_studies.html)

# Transmission Study Plan: Zone 2





# Senate Bill 100 Transmission Study Group

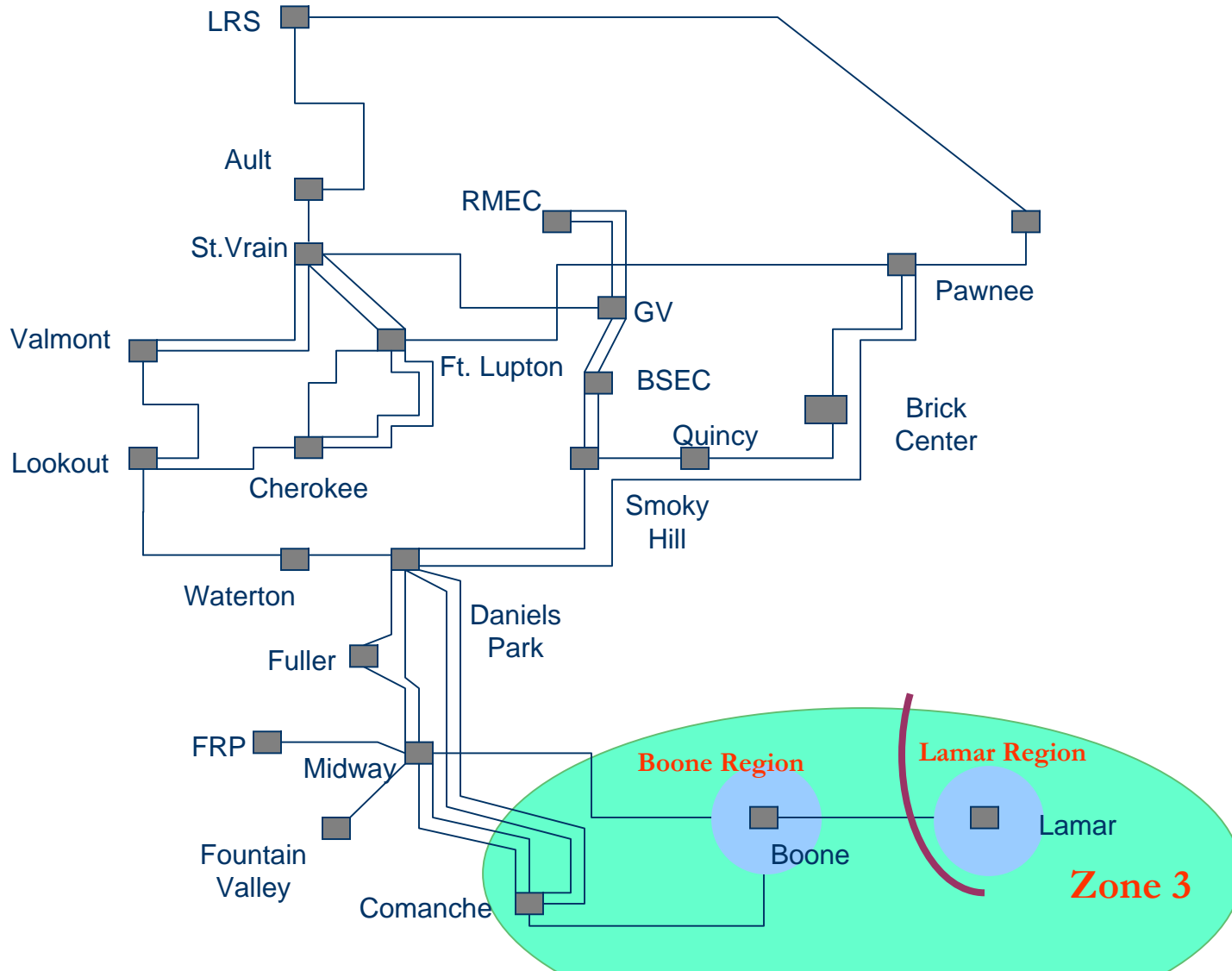
## Zone 3 (South East Colorado)

- ◆ Boone/Las Animas Region: Utilize the transmission study of the Generator Interconnection Request 2007-2 for a 675 MW unit near Las Animas.
- ◆ Lamar Region: Transmission Plan to add addition ATC to relieve the current transmission constraint from the South East part of the state.
- ◆ Evaluate and incorporate the transmission study of the planned Eastern Plains Transmission Project (EPTP)

## Zone 4 (San Luis Valley - Colorado)

- ◆ Evaluate current system capacity of injection at San Luis Valley substation with the existing Transmission System

# Transmission Study Plan: Zone 3





# Senate Bill 100 Transmission Study Group

Questions?